



PERFORMANCE PIPE FITTINGS AND GAS PIPE

# DriscoPlex<sup>®</sup> Tap Tee

WITH DOUBLE O-RING DESIGN

## ENHANCED PERFORMANCE

Introducing the DriscoPlex<sup>®</sup> Tap Tee – an innovative design that unites the rectangular base tap tee and a double O-ring seal. This fitting is the new, exclusive design offered by Performance Pipe. The enhanced architecture offers a dual seal, one on the chimney and one in the cap. All other features, benefits and installation procedures for the existing rectangular base tap tee will remain the same.

- **Double O-ring seal**
- **Rectangular base**
- **Rectangular fusion heater plates**



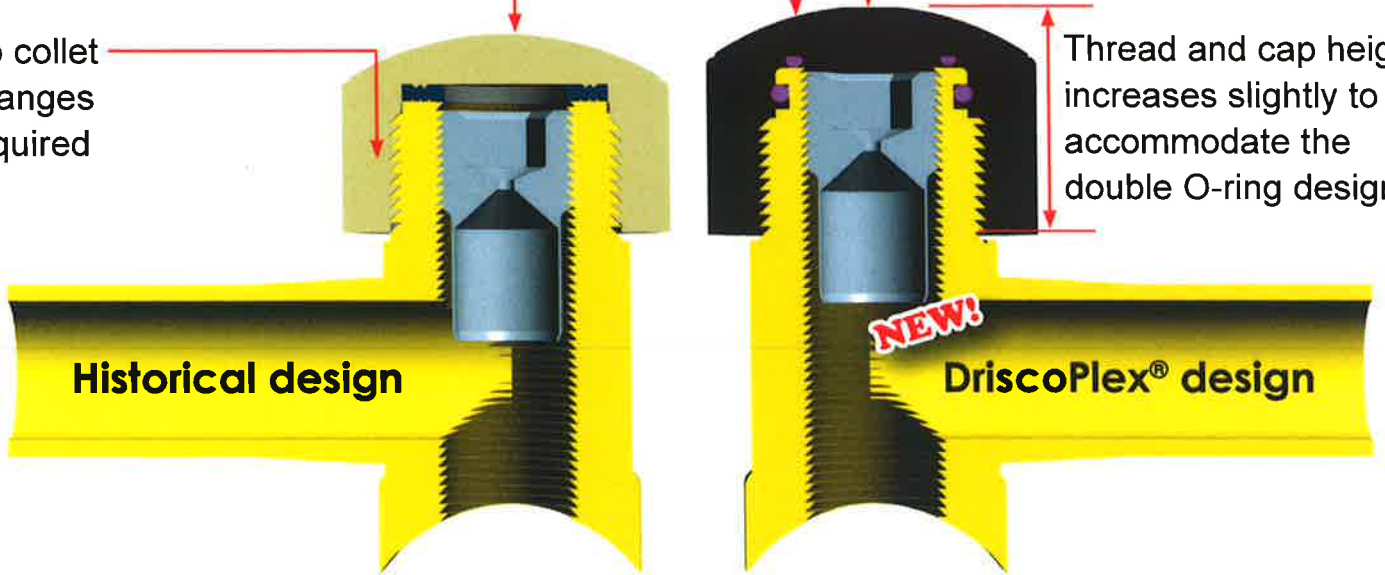
**When Performance Matters  
Rely on Us!**

Cap diameter does not change

No collet changes required

New cap is **BLACK** and will not fit on the historical design

Thread and cap height increases slightly to accommodate the double O-ring design



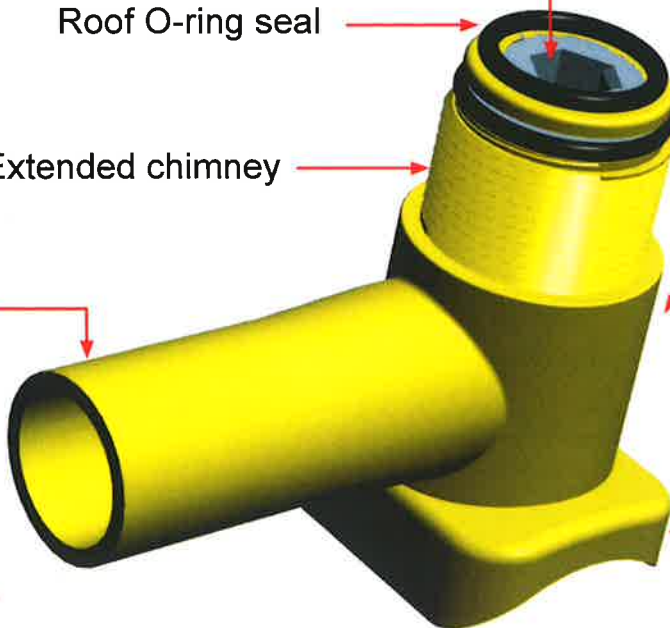
Uses standard and extended cutter wrenches

Roof O-ring seal

Side wall O-ring seal

Extended chimney

Same outlet sizes



Time stamps (body and cap)

Cap part number engraved on top of cap

Same rectangle base

